



# SK 6000

## Micrograph Laboratory

- Cutting module SKT 6000
- Electrolyte etching module SKE 3000
- Optical microscope LMX 2000
- **ORIGINAL VISO 6.00 SOFTWARE**



Quality control

# Micrograph laboratory SK 6000 - all inclusive

## Cutting module SKT 6000 with automatic cutting feed



Speed	Cutting	600 - 3000 rpm
	Polishing	300 - 1500 rpm
Operating voltage	230 V / 50 Hz	
Protection type	IP 20	
Dimensions (WxDxH)	230 x 545 x 510mm	
Weight	25,1 kg	

This cutting and polishing module enables the user to produce **high-quality microsections** from crimped and welded connections with round and rectangle shape cross-sections.

Samples are clamped quickly and easily into the sample carrier. Constant clear view of the cut and polished slice guarantees **precise positioning** of samples on the required cutting plane.

Cutting and polishing processes take place in a single operation. The sample feeding during the cutting process is automatically motor-powered. Cutting speed and pressure remain constant throughout. Damage of the sample is thereby prevented. The sample holder does not need to be removed for manual polishing.

## Electrolyte etching module SKE 3000 with variable etching strengths



Min. etching strength	0,35 A
Max. etching strength	3,15 A
Electrolyte	AE 7 + CE 1
Protection type	IP 20
Dimensions (WxDxH)	360 x 150 x 280 mm
Weight	6 kg

This optional device can be used for easy conversion of existing microsection labs, which still operate with aggressive chemicals, to an electrolyte process. The station is used for the **preparation of polished surfaces** after the sample cutting and polishing. A felt tip dipped in electrolyte is used as the cathode in this case. It removes the burrs and prepares the microstructure so that the relevant details can be seen.

The etching process can be interrupted and repeated at any time. There is no need to neutralise the sample. SM Contact supplies two different electrolyte solutions for this system: a slightly acidic and a neutral solution.

The SKE 3000 module has two etching strengths: **0.35 A and 3.15 A**. LED indicates that etching is in operation.

SPARE PARTS  
ON  
TOOLING.SMCONTACT.EU

SM CONTACT CORPORATION

77860 Quincy-Voisins • France  
20-22 Voie Gallo Romaine  
Tel.: +33 (0)1 64 63 66 66  
Fax: +33 (0)1 64 63 67 22  
smcontact@smcontact.fr



www.smcontact.eu

### Zoom-USB Microscope LMX 2000

The LMX 2000 is a universal optical measurement station for quality assurance. It supports graphical display, measurement, documentation and archiving of your samples. **The 6.5x zoom optic** is equipped with an array function and a shutter. The high-resolution USB 2.0 camera also enables mobile use of the measurement station on a notebook.

The Viso 6.00 measurement software lets you make all standard 2D measurements as well as special circle- and surface measurements.

**Automatic calibration** function assures highest reliability.

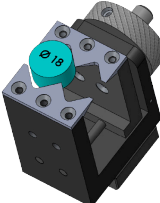
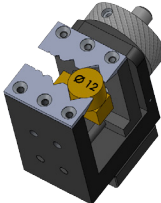
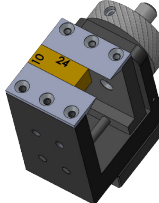
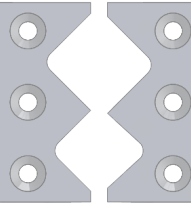
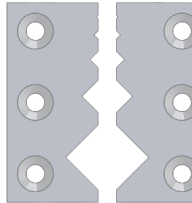
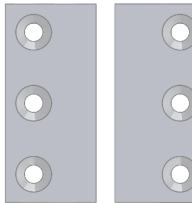


### Viso 6.00 - updated original measurement software

**Viso 6.00** 6.00 allows Free measurement with appropriate presets or using of the Control list. It guarantees accurate and convenient measurements, including all tools, automatic calibration, dimensions detection, and data export to PDF meeting the industry-specific and factory standards. Annual re-validation of connections and updating of the Control list keeps the customer abreast the production quality throughout the whole machine lifecycle.

**Option.** Viso 6.00 can be optionally adjusted for automated splice quality control and immediate interaction between a customer and SM Contact engineers. In this case all measurement results are automatically uploaded to the customer's private area in SM Cloud data storage. If they diverge from a Control list, SM Contact engineers get a signal and provide the customer with assistance.

### Limits for component dimensions: wire cross section & terminal

Round		Rectangular
Max. $\varnothing$ 18 mm (255 mm <sup>2</sup> area) for soft metals (e.g. Cu, Al)	Max. $\varnothing$ 12 mm (113 mm <sup>2</sup> area) for hardened metals	Max. dimensions 10 x 24 mm (240 mm <sup>2</sup> area)
		
		

#### SM CONTACT GMBH

D-66113 Saarbrücken  
Germany  
Lebacher Str. 4  
Tel.: +49 (0) 681 99 63 279  
sales\_de@smcontact.eu

#### SM CONTACT ENGINEERING

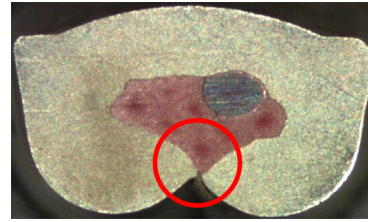
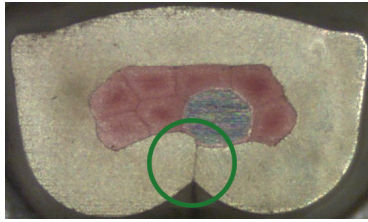
196191 Saint Petersburg  
Russia  
Basseynaya Str. 21 lit. A  
Tel.: +7 812 980 97 93  
info@smcontact.ru

#### SM CONTACT ASIA

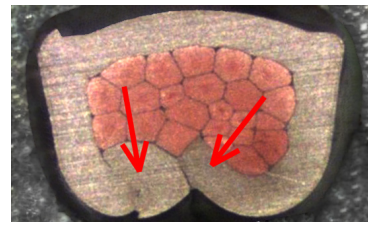
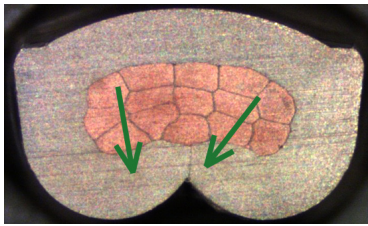
511400 Guangzhou • China  
205 Exchange Center, Tian An Hi-tech  
Ecological park, 555 Panyu RD  
Tel.: +86 (0)20 2288 3182  
info@smcontact.cn

# Crimp connection quality control

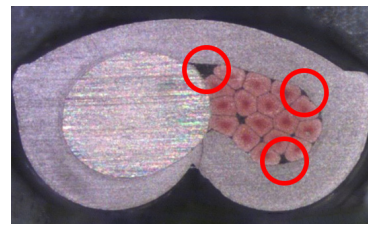
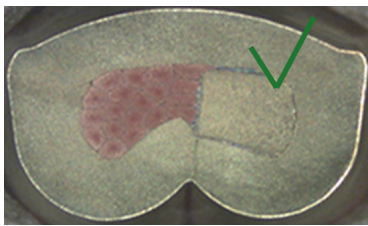
Tight closure



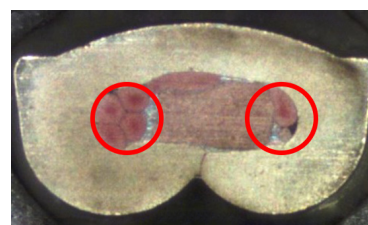
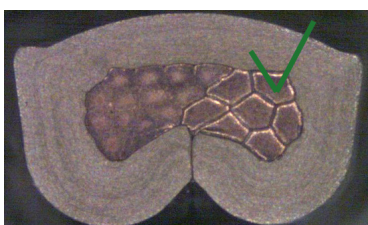
Connection Symmetry



Compression



Components positioning



Burrs („Cat ears“)

